

Nov. 4, 1969

E. N. CYRWAY, JR., ET AL

3,476,862

ELECTRIC RESISTANCE HEATING ELEMENTS

Filed May 16, 1968

2 Sheets-Sheet 1

FIG. 1

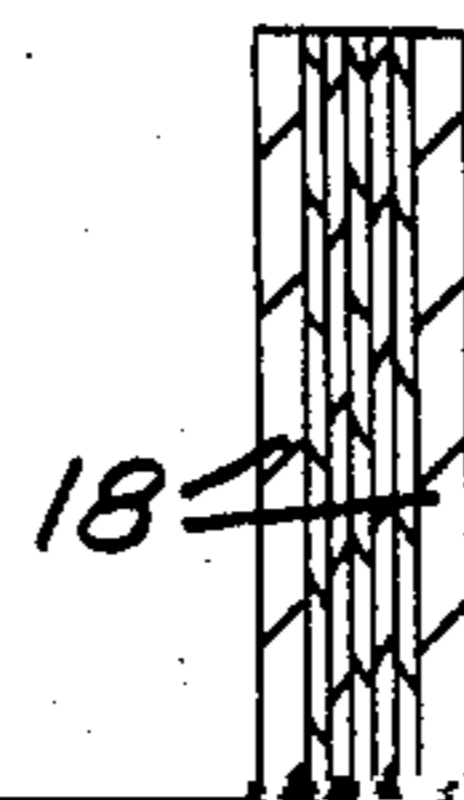
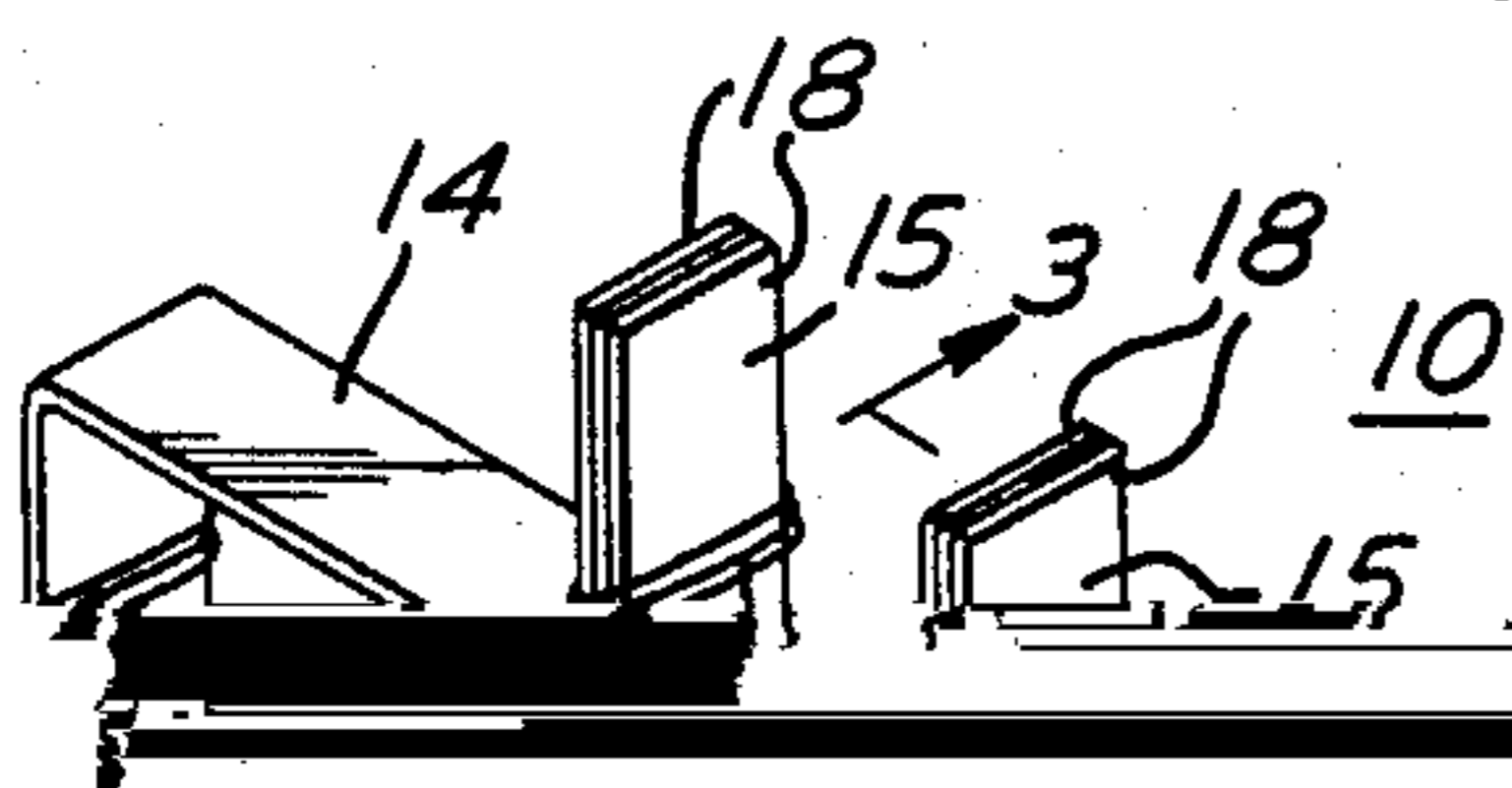
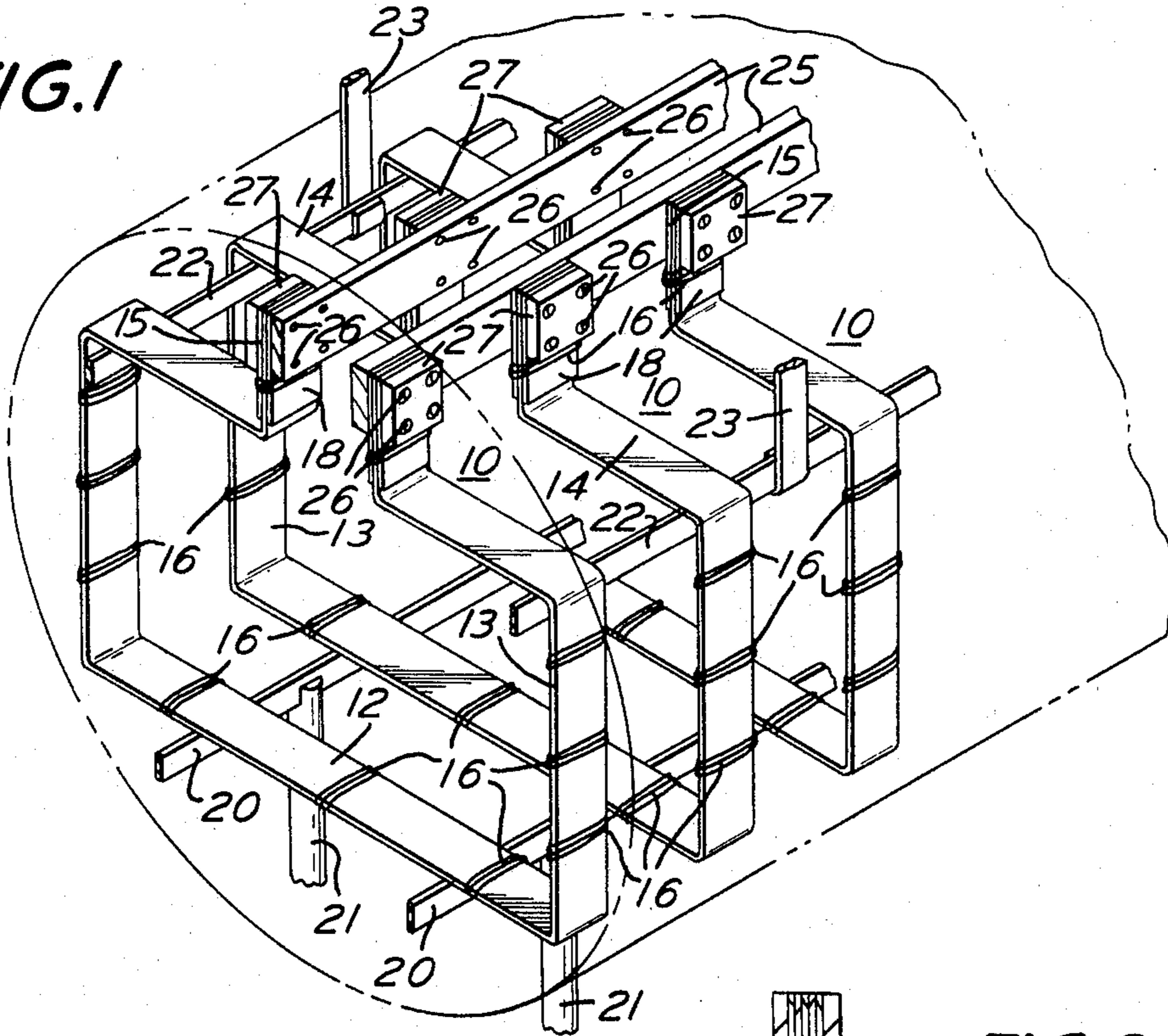


FIG. 3

ELECTRIC RESISTANCE HEATING ELEMENTS

Filed May 16, 1968

2 Sheets-Sheet 2

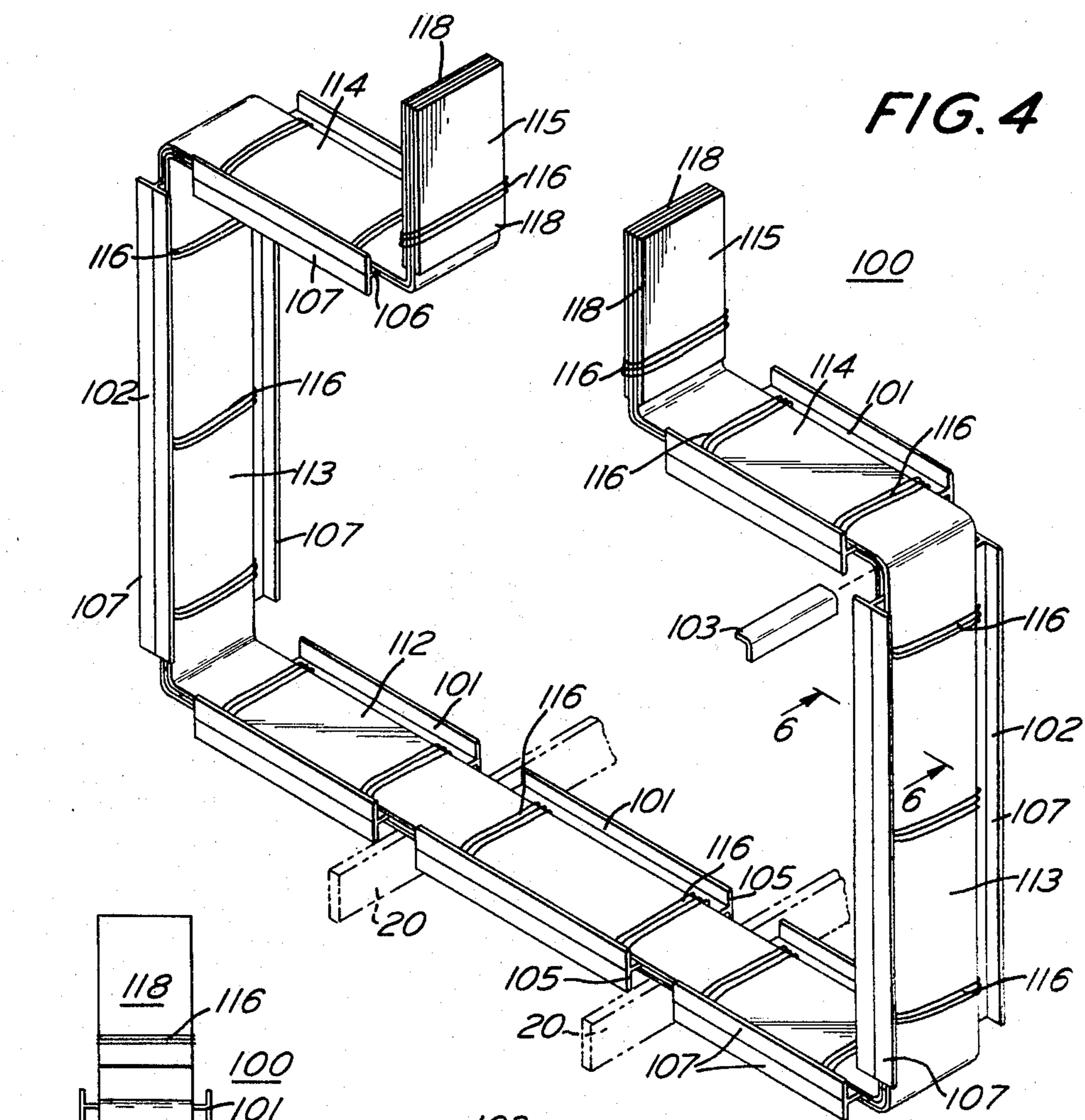


FIG. 4

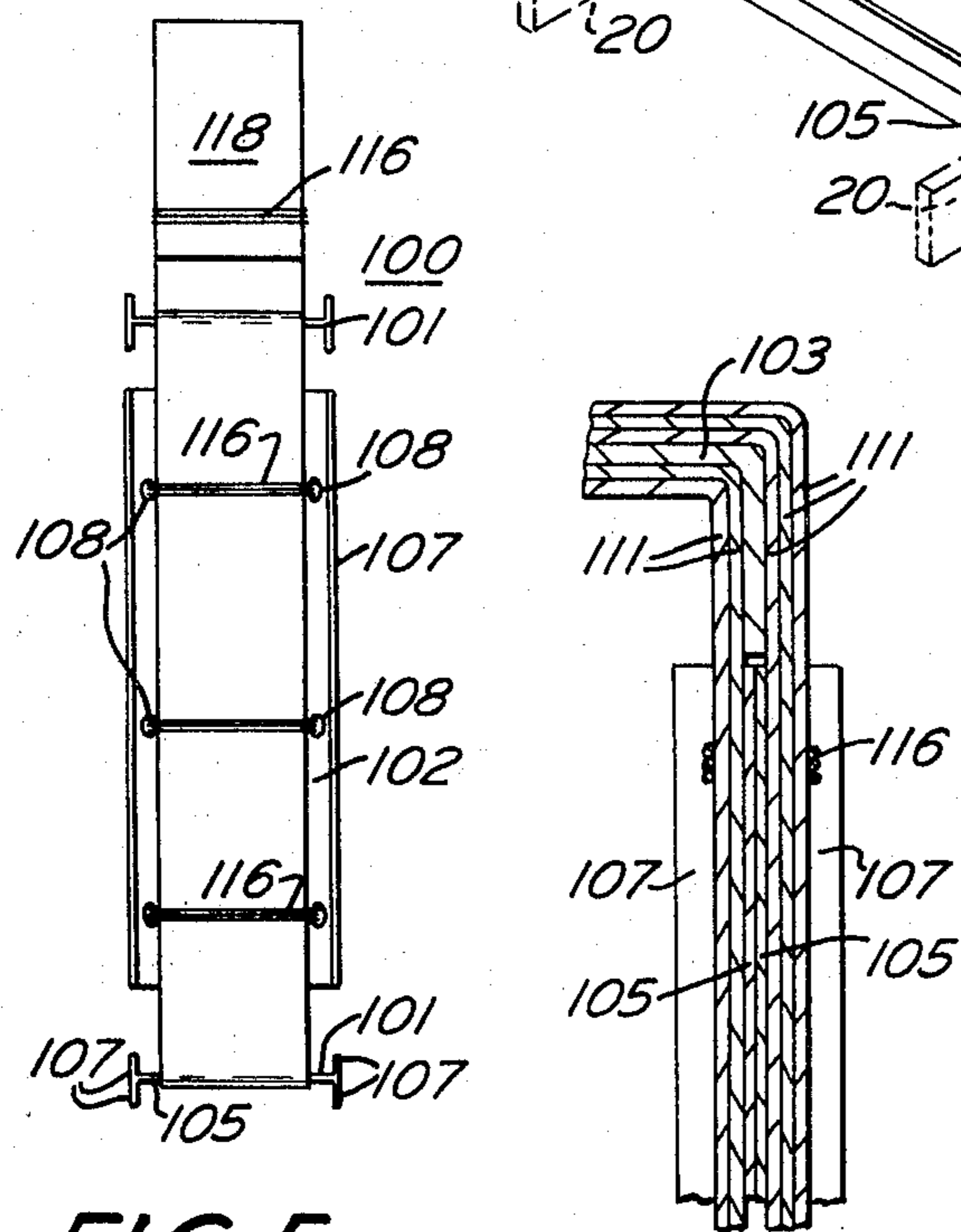


FIG. 5

FIG. 6

INVENTORS  
EDWARD N. CYRWAY, JR.  
WILLIAM J. METALSKY

BY *J. T. Wobersmuth*  
ATTORNEY

1

3,476,862  
**ELECTRIC RESISTANCE HEATING ELEMENTS**  
Edward N. Cyrway, Jr., Levittown, and William J.  
By *John R. J. [illegible]* Attorney

2

are free from expansive restraints and which have increased current carrying capacity.

It is a further object of the present invention to provide resistance heating elements for vacuum furnaces which

3,476,862

3

4

ried by hangers 23 mounted in the wall of the furnace

It will thus be

the furnace is

is