

United States Patent

Kreider et al.

[15] **3,698,698**

[45] **Oct. 17, 1972**

[54] **FIXTURE FOR HEAT TREATING**

2,420,428 5/1947 Hill et al.263/47 A

[72] Inventors: **Benjamin A. Kreider, Richboro;**

Primary Examiner—John J. Camby

[73] Assignee: **Abar Corporation, Feasterville, Pa.**

FIG. 1

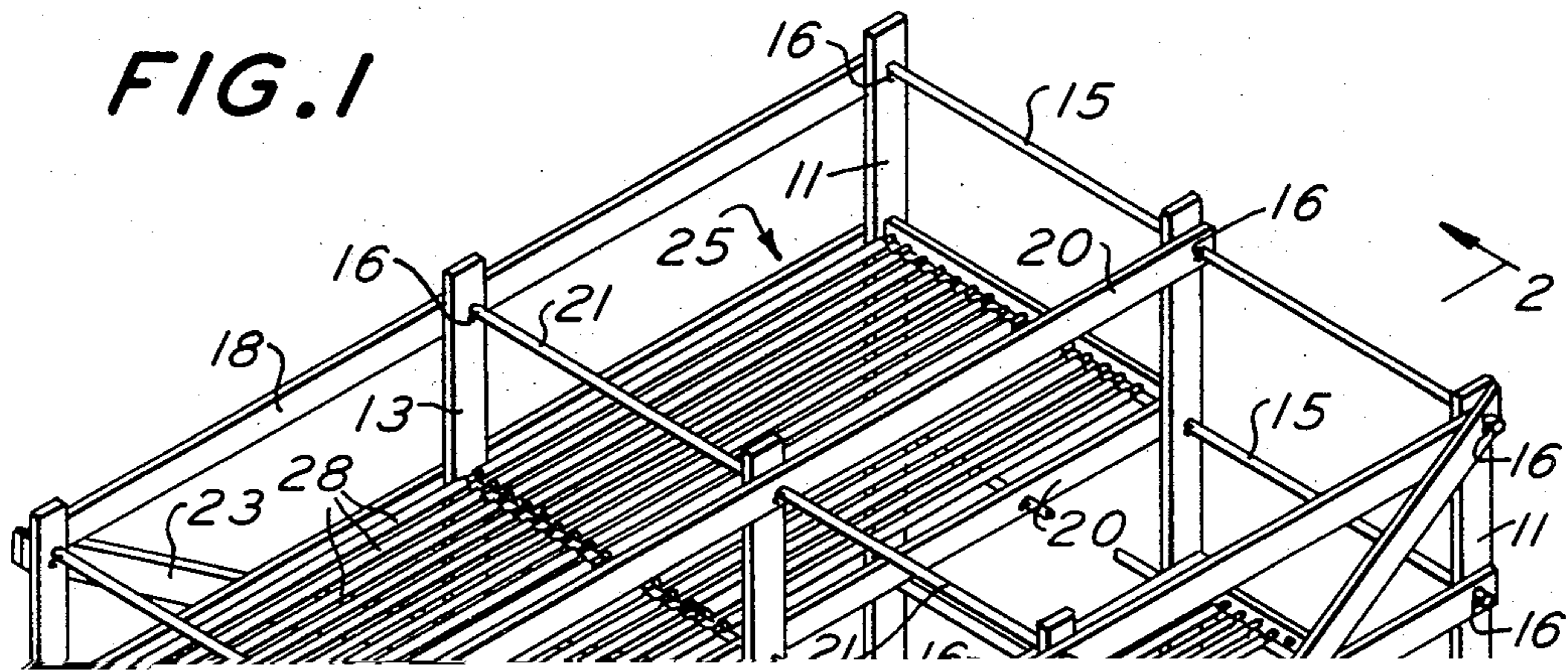


FIG. 2

15



20



16

16

FIXTURE FOR HEAT TREATING FURNACES
BACKGROUND OF THE INVENTION

It should, of course, be understood that the description and drawings herein are illustrative merely and

3,698,698

3

4

The frame 10 as heretofore described has low fixtures

for assembling the sheets