

United States Patent [19]
Schmidt

[11] **3,739,921**
[45] **June 19, 1973**

[54] **FIXTURE FOR HEAT TREATING**

3,044,755 7/1962 Bixby..... 263/47 A

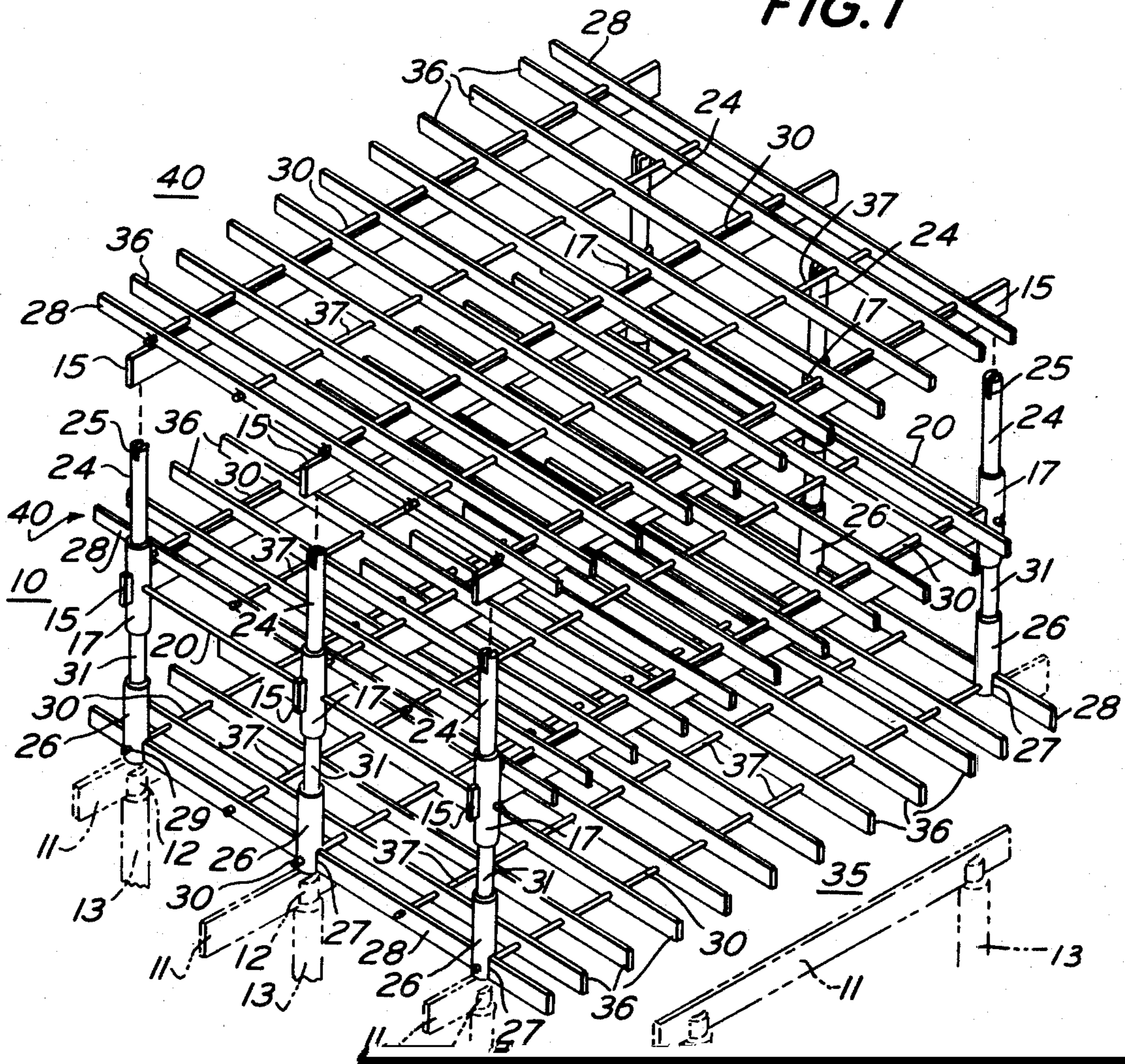
[75] Inventor: **Charles J. Schmidt, Philadelphia, Pa.**
[73] Assignee: **Abar Corporation, Feasterville, Pa.**
[22] Filed: **Oct. 1, 1971**
[21] Appl. No.: **185,634**

Primary Examiner—**Ramon S. Britts**
Attorney—**Zachary T. Wobensmith**

[57] **ABSTRACT**

A fixture for heat treating furnaces is disclosed having a frame composed of horizontal round rods and

FIG. 1



12 13

PATENTED JUN 19 1973

3,739,921

SHEET 2 OF 2

FIG. 3



FIG. 4



3,739,921

1

2

FIXTURE FOR HEAT TREATING FURNACES

FIG. 5

3

The bars 15 are illustrated as carrying horizontal racks 40 each comprising end bars 28, intermediate bars 36 and rods 30 and 37.

The rods 30 and 37 extend through the bars 28 and

4

members outside said tubular connectors detachably retaining said rods from disengagement from said bars.