

Kreider et al.

[45]

Jul. 15, 1980

[54] VACUUM ELECTRIC FURNACE

3,887,064 6/1975 Brockmann 432/122

[75] Inventors: Benjamin A. Kreider, Richboro;
William J. Metalsky, Warminster,
both of Pa.

4,102,637 7/1978 Kreider et al. 432/249

4,144,022 3/1979 Fusco 432/249

[73] Assignee: Abar Corporation, Feasterville, Pa.

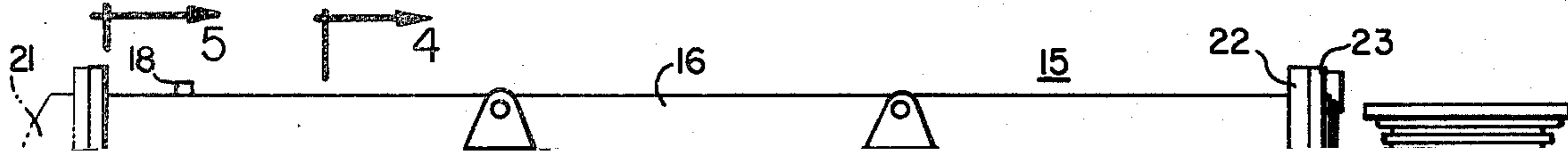
Primary Examiner—Henry C. Yuen
Attorney, Agent, or Firm—Zachary T. Wobensmith,
2nd; Zachary T. Wobensmith, III

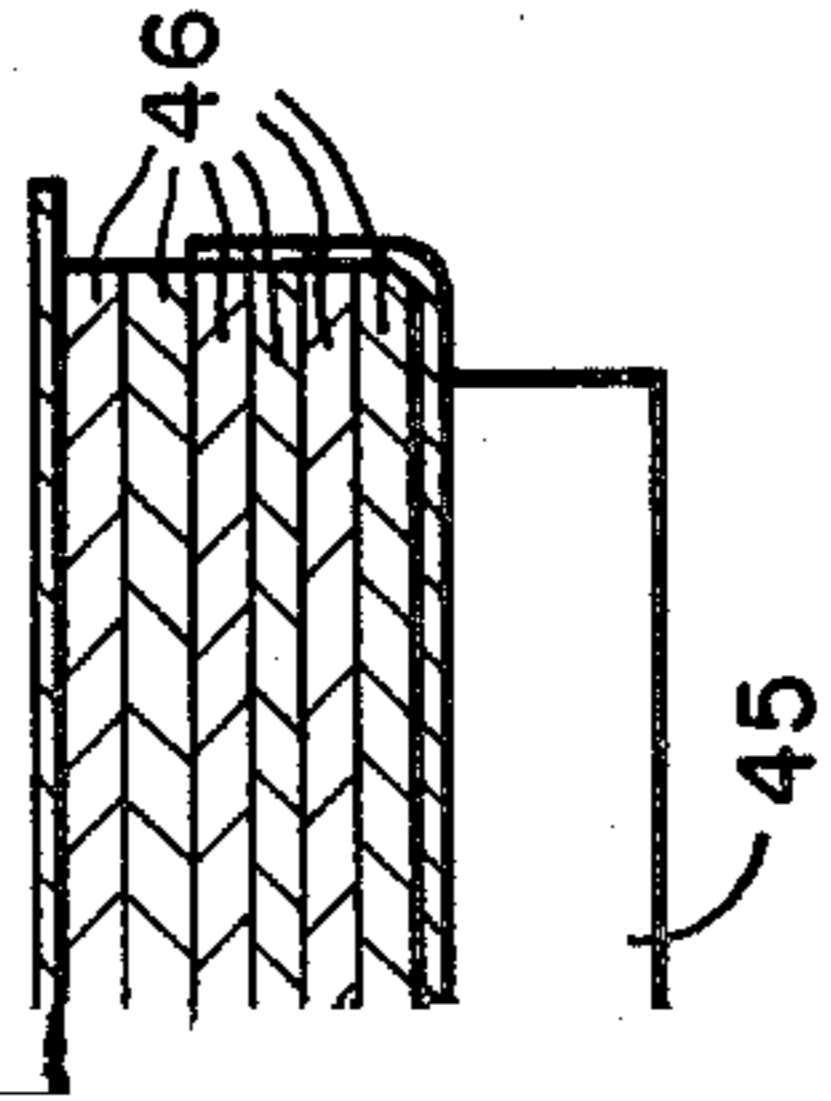
[21] Appl. No.: 961,298

[57]

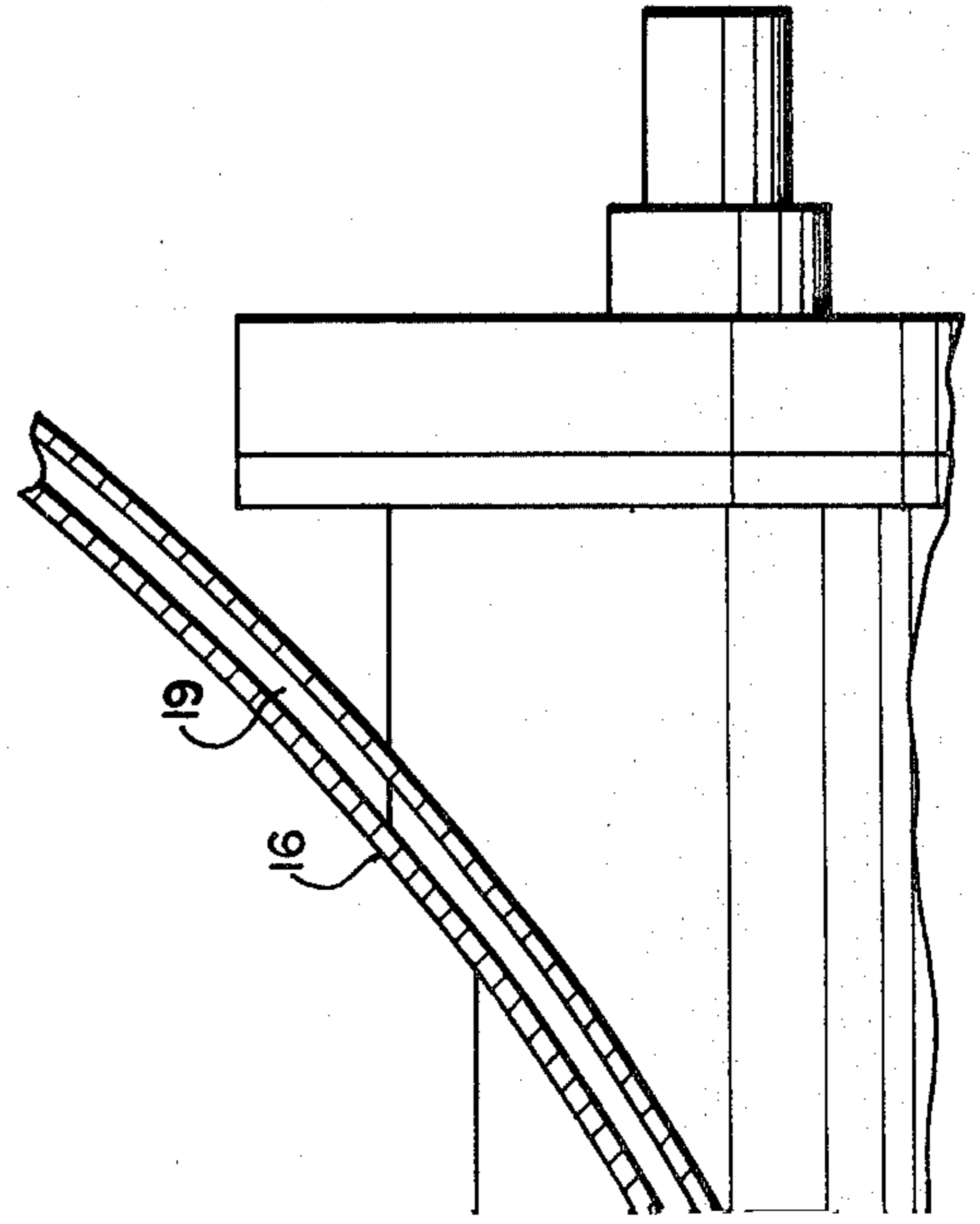
ABSTRACT

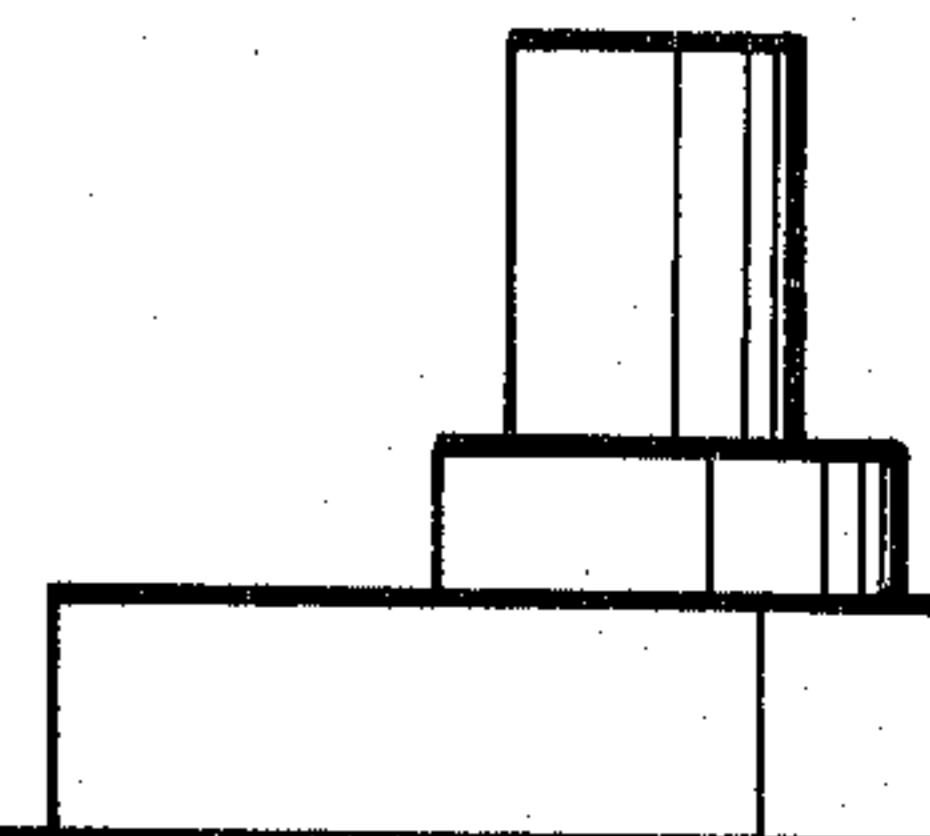
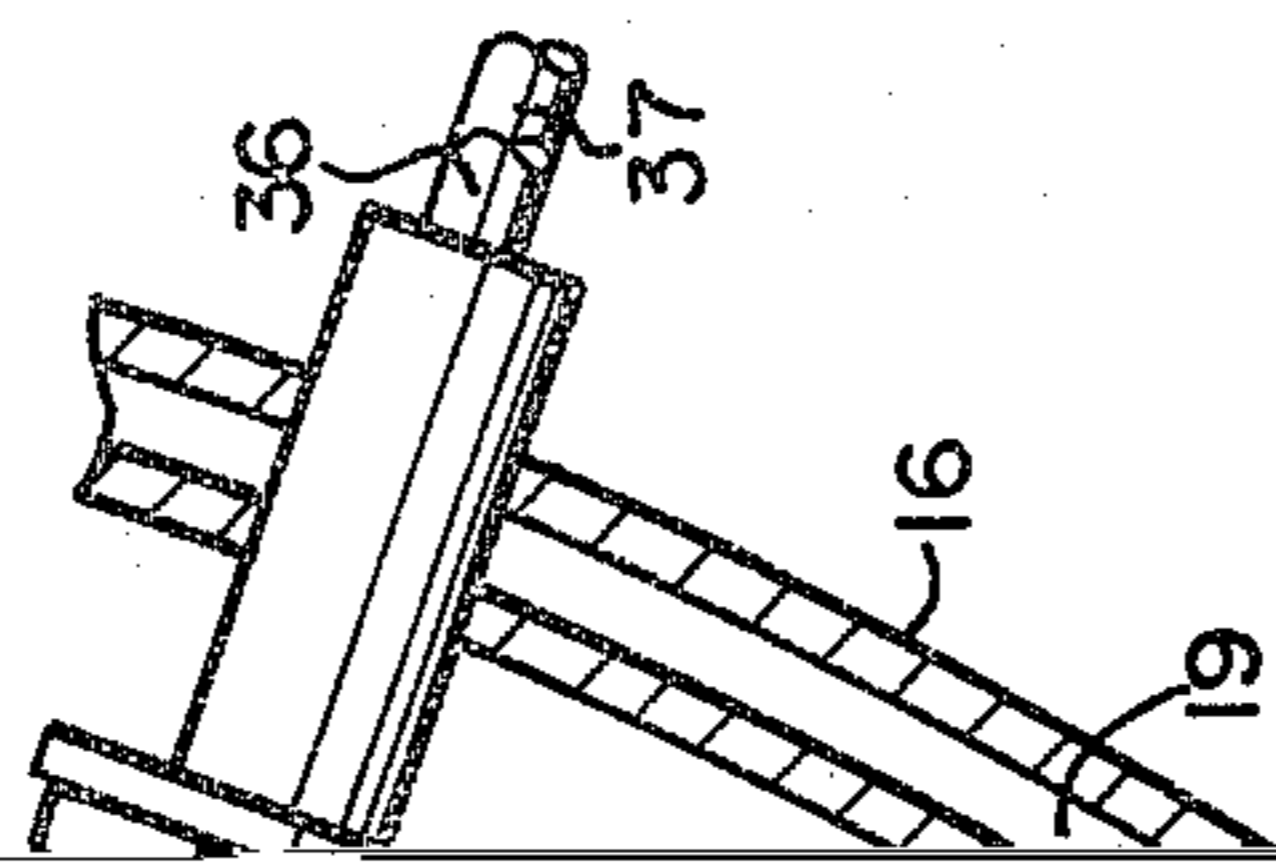
[22] Filed: Nov. 16, 1978





3. 4













4,212,633

2

4,212,633

3

4

1-12-1991 Liquidation Capital Liquid Co. 415,000 provided interest provided on 1-1-1991 00 on the date

5

and the connectors 49 are of materials which are not affected adversely by the very high temperatures in the furnace.

The platforms 70, and their supporting structure above and immediately below the platforms 70 includ- 5

6

means for cooling said movable frame.

2. Apparatus as defined in claim 1 in which said shielding members include a fixed shield having openings therethrough for supporting pins interposed between said movable frame and said movable workpiece supports and

