

[54] FIXED THERMOCOUPLE FOR VACUUM ELECTRIC FURNACES

4,102,637 7/1978 Kreider et al. 13/32 X
4,109,157 8/1978 Tanaka et al.
4,124,199 11/1978 Jones et al. 266/88

[75] Inventors: William R. Jones, Chalfont; Prem C. Jindal, Feasterville, both of Pa.

OTHER PUBLICATIONS

[73] Assignee: Abar Corporation, Feasterville, Pa.

Case Hardening, Metals Handbook, 1948, American Society for Metals, pp. 677-702.

[21] Appl. No.: 3,659

Primary Examiner—Roy N. Envall, Jr.

[22] Filed: Jan. 15, 1979

Attorney, Agent, or Firm—Zachary T. Wobensmith,

[53] CLASSIFICATION

USED 7/16

2nd: Zachary T. Wobensmith, III

[52] U.S. Cl. 13/20

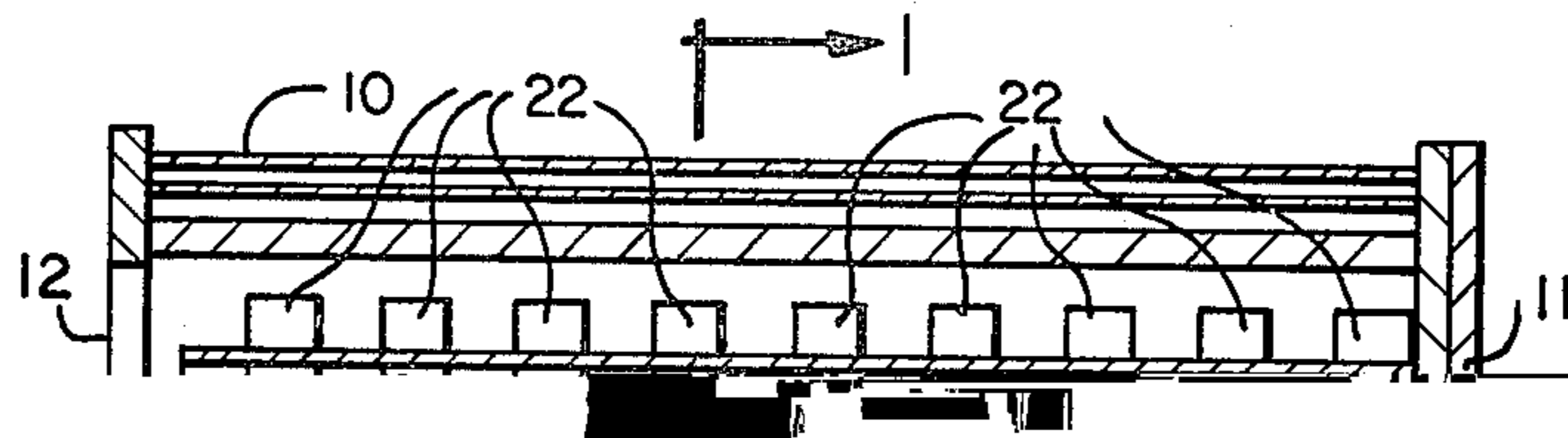
[57]

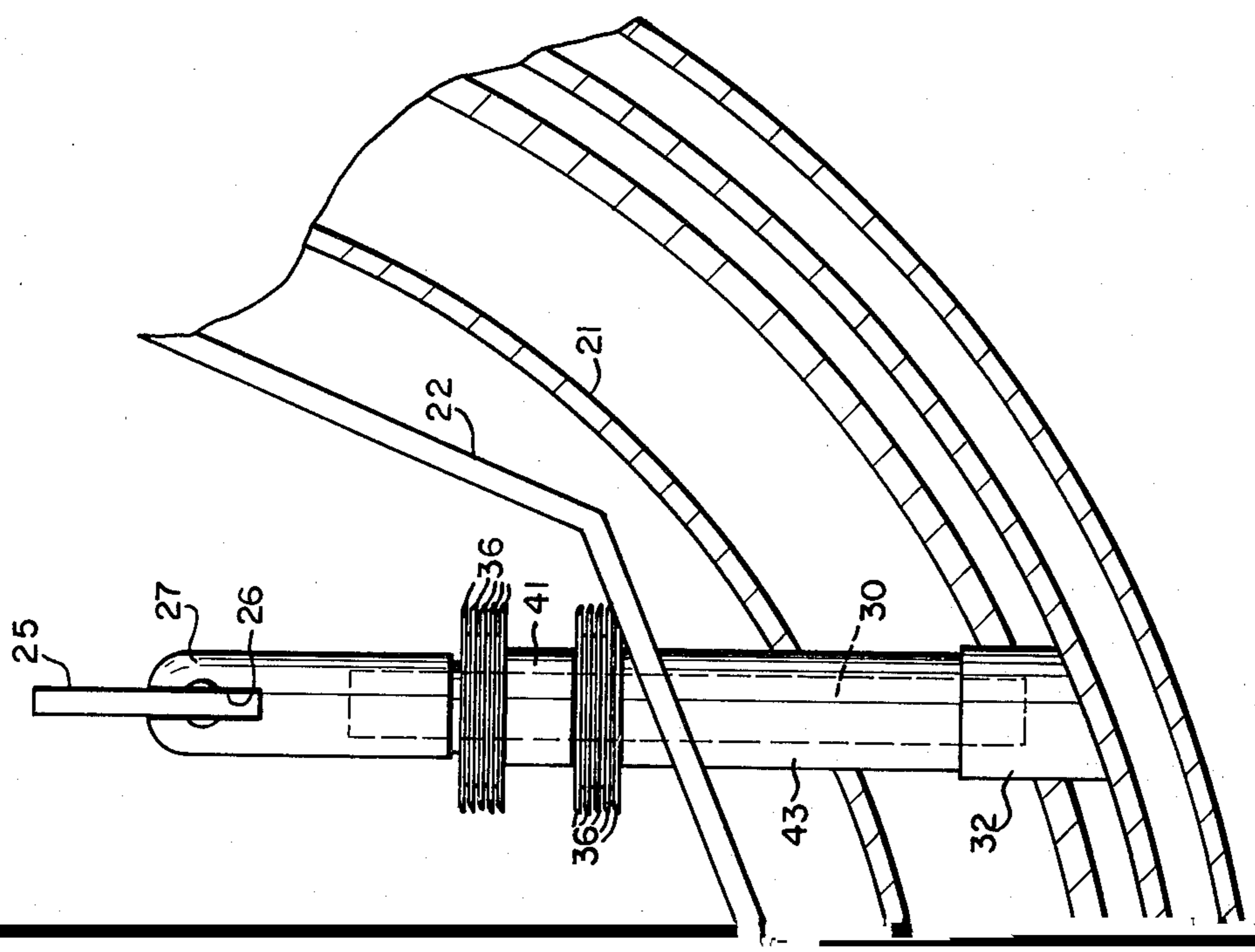
ABSTRACT

[56] References Cited
U.S. PATENT DOCUMENTS

1,837,256 12/1931 Egan

furnaces is described, which is particularly suitable for furnaces for nitrated or carburized case formation and which is particularly suited to avoid line of sight metal-





6.3

**FIXED THERMOCOUPLE FOR VACUUM
ELECTRIC FURNACES**

various modifications and changes can be made in the structure disclosed without departing from the spirit of

BACKGROUND OF THE INVENTION

1. Field of the Invention

5 Like numerals refer to like parts throughout the several views.

DESCRIPTION OF THE PREFERRED

The thermocouple mounting includes a socket 45

replacement, as necessary, of various components can