

[54] POWER FEED THROUGH FOR VACUUM  
ELECTRIC FURNACES

*Attorney, Agent, or Firm*—Zachary T. Wobensmith,  
2nd; Zachary T. Wobensmith, III

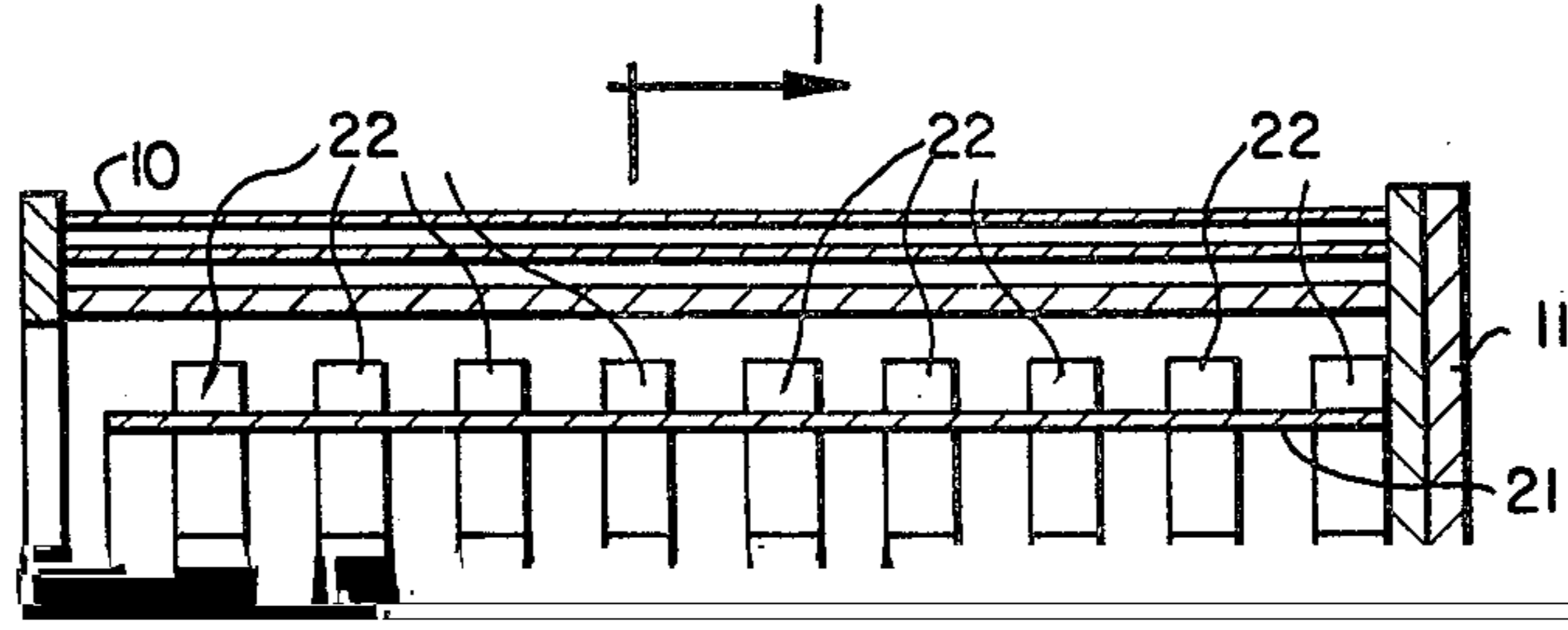
[75] Inventors: William R. Jones, Chalfont; Rush B.  
Gunther, Abington, both of Pa.

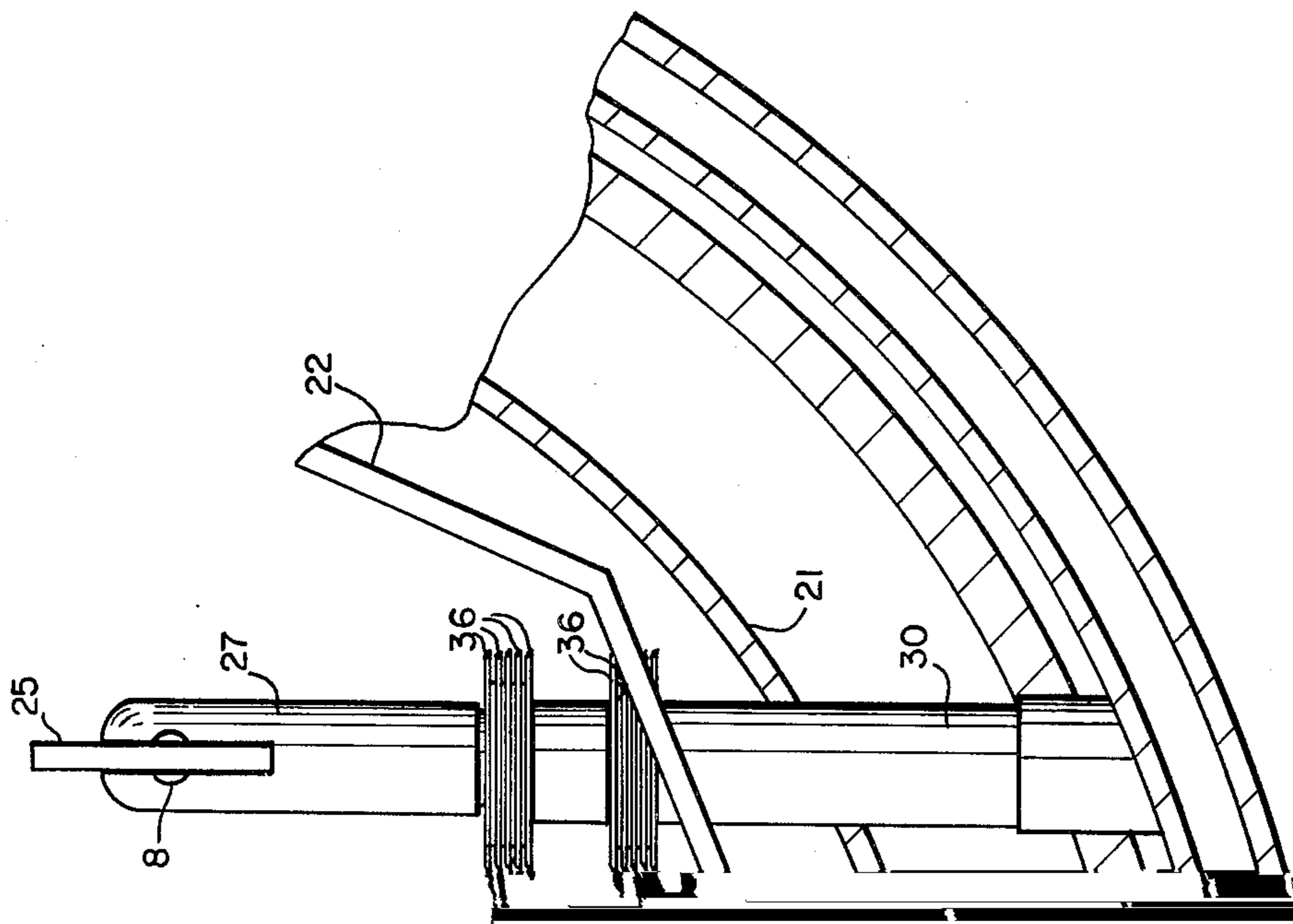
[57] ABSTRACT

[73] Assignee: Abar Corporation, Feasterville, Pa.

A power feed through for vacuum electric furnaces is provided for furnaces in which work pieces to be processed are placed inside a vacuum electric furnace chamber which is evacuated with a mechanical pump and then backfilled with a partial pressure of gas con-

[21] Appl. No.: 3,658





The image shows a document page with a table. The table has a header row with two columns labeled '1' and '2'. The value '4,227,032' is positioned above the '2' column. The rest of the table is obscured by thick black horizontal bars, making the data in the rows unreadable.

Within the chamber 20, horizontal work supports of  
heat resistant metal such as a refractory metal are pro-

In use the power feed through 50 connected to the  
rail 25 provides for a positive supply of electrical en-