

United States Patent [19]

Jones

[11]

4,425,660

[45]

* Jan. 10, 1984

[76] Inventor: William R. Jones, 244 Hampshire Dr., Chalfont, Pa. 18914

4,259,538 3/1981 Jones 373/130

[*] Notice: The portion of the term of this patent subsequent to Mar. 31, 1998 has been disclaimed.

Primary Examiner—Roy N. Envall, Jr.
Attorney, Agent, or Firm—William E. Cleaver

[21] Appl. No. 275 270

[57] ABSTRACT

The present invention is directed to graphite shields (or

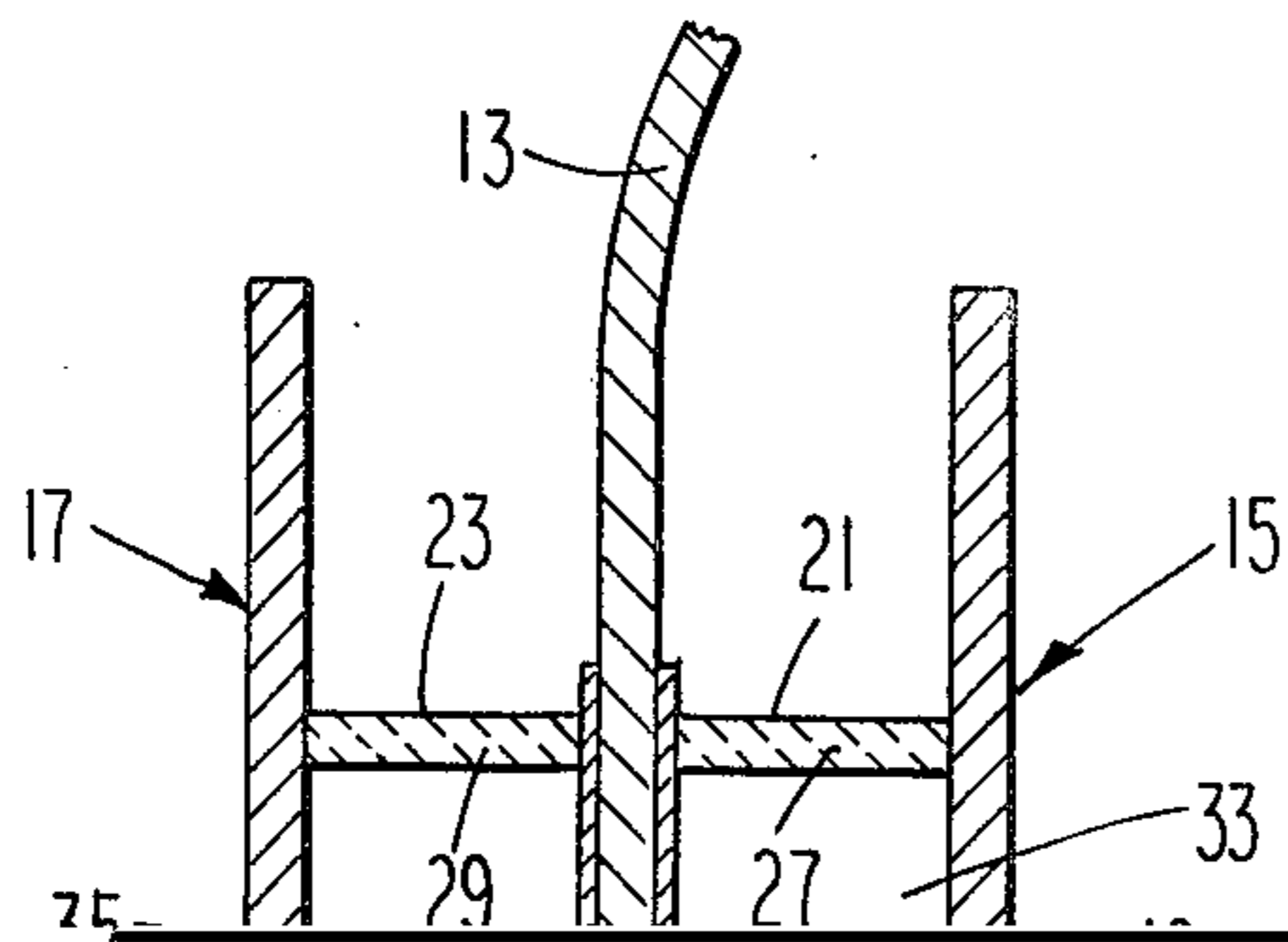


Fig. 1

SHIELDING ARRANGEMENT FOR A VACUUM

heating element facing the shield liners. In accordance

BACKGROUND OF THE INVENTION

scribed in connection with the molybdenum. However

[REDACTED]

[REDACTED]

[REDACTED]

[REDACTED]

[REDACTED]

1/2

[REDACTED]

[REDACTED]